

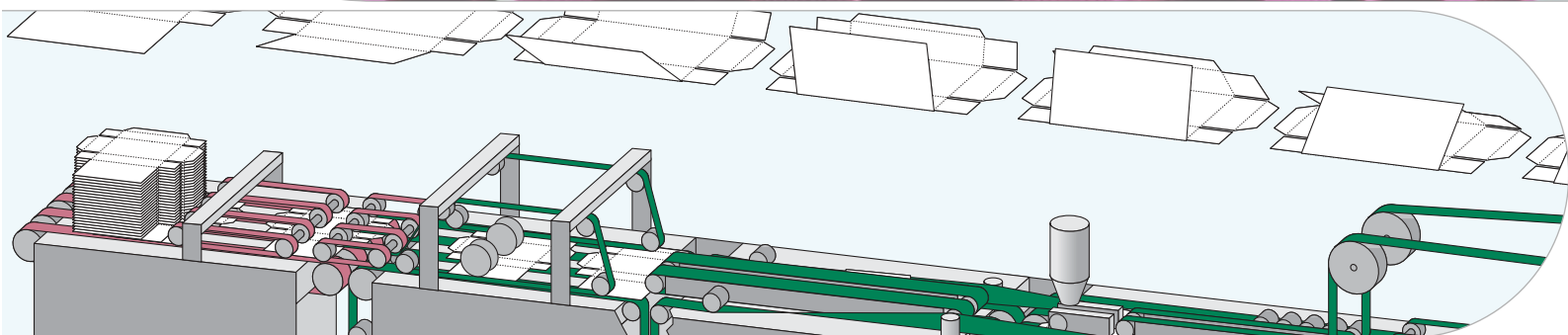
Habasit ABT, Inc.  
Seamless Belts



## **GRABBER™**

FG Series  
Folder Gluer  
FeedBELTS

Habasit-Solutions in motion



Designed to excel  
**PROVEN IN THE FIELD!**

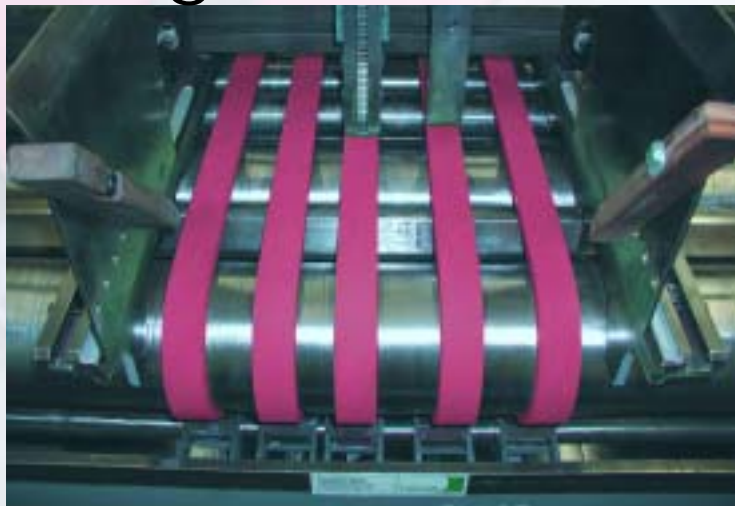
The **habasit** feed cover advantages:

- 35A red natural rubber for superb friction
- Anti-Glazing compound for maximum life
- Seamless cover for uniform wear
- Excellent flexibility prevents cracking or tearing
- No glue or seam for uniform wear
- Premium friction with excellent abrasion resistance

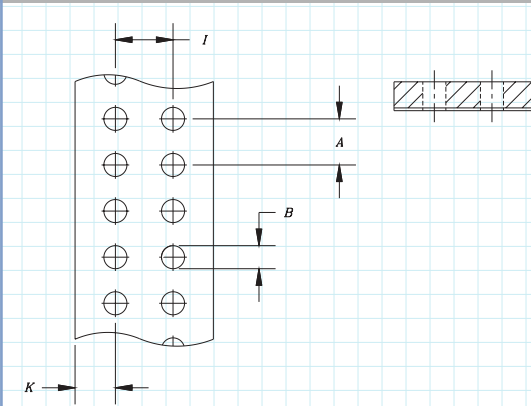
The **habasit** substrate advantages:

- No splice or seam for increased reliability
- Abrasion resistant anti-static neoprene saturant
- Smooth, vibration-free performance

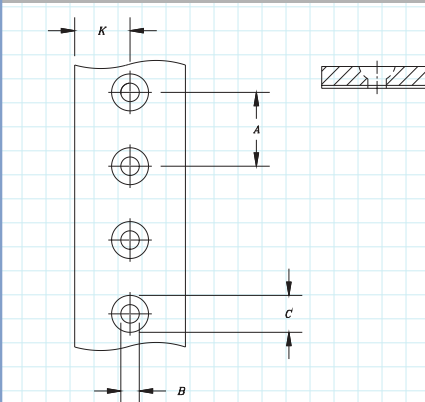
# Longer Belt Life!



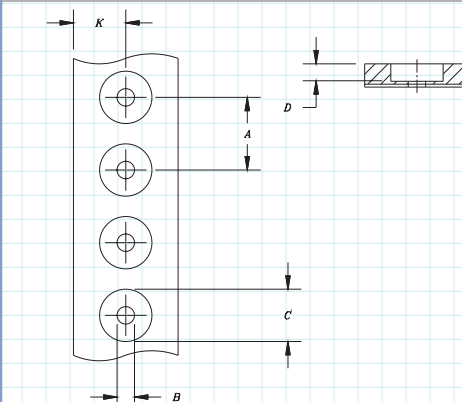
Perforated (2 rows)



Perforated, Countersunk



Perforated, Counterbored



# Referenced to OEM part number

## EASY ORDERING!

### Parts List

OEM	Part Number	Type	Size	Note
Bobst	1104 1602 00	FGBB001H04	25 x 670 x 4.0mm	
	1104 1604 00	FGBB002H04	25 x 1500 x 6.5mm	
	1104 1827 00	FGBB003H04	25 x 1500 x 6.5mm	Perforated
	1104 1894 00	FGBB004H04	25 x 1525 x 6.5mm	
	1104 1895 00	FGBB005H04	25 x 1525 x 6.5mm	Perforated
	1104 2103 00	FGBB006H04	44 x 1760 x 6.5mm	
	1104 2229 00	FGBB007H04	44 x 1760 x 6.5mm	Perforated
	1104 2389 00	FGBB008H04	25 x 1525 x 8.5mm	
	1104 2398 00	FGBB009H04	25 x 1525 x 8.5mm	Perforated
	1104 2447 00	FGBB010H04	1270-5M-30 x 4.2mm	Timing belt substrate
	1104 2448 00	FGBB011H04	1270-5M-30 x 4.2mm	Perforated, grooved timing belt substrate
	1104 2524 00	FGBB012H04	20 x 2820 x 4.0mm	
	1104 2830 00	FGBB013G04	25 x 1110 x 6.5mm	White FDA cover
	1104 2928 00	FGBB014G04	25 x 1110 x 6.5mm	Perforated, white FDA cover
	1104 2937 00	FGBB015H04	20 x 780 x 4.0mm	
	1104 2944 00	FGBB016H04	20 x 2970 x 4.0mm	
	1104 3063 00	FGBB017H04	25 x 1110 x 6.5mm	
	1104 3079 00	FGBB018H04	25 x 1110 x 6.5mm	Perforated
	1104 3122 00	FGBB019H04	30 x 1210 x 6.5mm	
	1104 3123 00	FGBB020H04	30 x 1210 x 6.5mm	Perforated
1104 3196 00	FGBB019G04	30 x 1210 x 6.5mm	White FDA cover	
1104 3249 00	FGBB020G04	30 x 1210 x 6.5mm	Perforated, white FDA cover	
1104 3268 00	FGBB021H04	40 x 1640 x 6.5mm		
1104 3272 00	FGBB022H04	40 x 1640 x 6.5mm	Perforated	
IPBM	50501252	FGIP001H04	1.25" x 46.25" x .260"	
	50501254	FGIP002H04	1.50" x 37.00" x .260"	
	50501255	FGIP003H04	1.50" x 46.00" x .260"	
	50501256	FGIP004H04	1.50" x 46.00" x .375"	
	50501257	FGIP005H04	1.50" x 51.00" x .375"	
	50501433	FGIP006H04	1.25" x 47.875" x .260"	
Jagenberg	6504.08085	FGJB001H04	25 x 915 x 6.0mm	
	6507.08075	FGJB002H04	25 x 1200 x 8.0mm	
	6508.34003	FGJB003H04	36 x 1200 x 8.0mm	Perforated, Counterbored
	6528.55079	FGJB004H04	36 x 1200 x 8.0mm	
	6539.08189	FGJB005H04	25 x 1200 x 6.0mm	
	6540.38264	FGJB006H04	36 x 1300 x 10.0mm	
	6549.04003	FGJB007H04	36 x 1650 x 10.0mm	Perforated, Counterbored
	6556.0833	FGJB008H04	25 x 1300 x 10.0mm	
	6556.34015	FGJB009H04	25 x 1200 x 8.0mm	Perforated, Counterbored
	6556.34021	FGJB010H04	25 x 1300 x 10.0mm	Perforated, Counterbored
	6558.34003	FGJB011H04	36 x 1300 x 10.0mm	Perforated, Counterbored
		FGJB012H04	36 x 1650 x 10.0mm	
	6585.40137	FGJB013H04	36 x 3200 x 3.0mm	
	FGJB014H04	24 x 3490 x 3.0mm		
Kohmann	F75/105/135-B8	FGKH001H04	25 x 1420 x 8.0mm	Perforated
Post-Bobst	100758	FGPB001H04	1.50" x 62.832" x .313"	
	100759	FGPB002H04	2.50" x 62.832" x .313"	
	100938	FGPB003H04	1.50" x 67.938" x .313"	
	100939	FGPB004H04	2.50" x 67.938" x .313"	
	112572	FGPB005H04	1.50" x 58.118" x .313"	
	112573	FGPB006H04	2.50" x 58.118" x .313"	
	126594	FGPB007H04	1.50" x 50.00" x .313"	Perforated (2 rows)
	126959	FGPB008H04	2.50" x 50.00" x .313"	Perforated (3 rows)
	131899	FGPB009H04	1.50" x 50.00" x .313"	
	Signature		FGSI001G04	30 x 1285 x 8.0mm
		FGSI002G04	30 x 1285 x 8.0mm	Perforated, white FDA cover
		FGSI001H04	30 x 1285 x 8.0mm	
		FGSI002H04	30 x 1285 x 8.0mm	Perforated
Tanabe		FGTN001H04	35 x 1250 x 6.0mm	
		FGTN002H04	35 x 1535 x 8.0mm	
		FGTN003H04	60 x 1535 x 8.0mm	
		FGTN004H04	60 x 1535 x 8.0mm	Perforated
Vega	BAH 1350 X 25	FGVE001H04	25 x 1350 x 8.0mm	
	BAH 1350 X 25/F	FGVE002H04	25 x 1350 x 8.0mm	Perforated
	BAH 1850 X 28	FGVE003H04	28 x 1850 x 8.0mm	
	BAH 1850 X 28/F	FGVE004H04	28 x 1850 x 8.0mm	Perforated
Western Slope	W907063	FGWS001H04	1.50" x 50.00" x .295"	Perforated, Countersunk, Habasit A1 substrate
	W907149	FGWS002H04	1.50" x 80.00" x .295"	Habasit A1 substrate
	W907223	FGWS003H04	1.50" x 80.00" x .295"	Perforated, Countersunk, Habasit A1 substrate
	W907309	FGWS004H04	1.50" x 61.00" x .295"	Perforated, Countersunk, Habasit A1 substrate

Consult your local Habasit representative for sizes, properties and manufacturers not listed above

**Austria**

Habasisit GmbH, Wien  
Phone +43 1 690 66  
www.habasisit.at

**Belgium**

Habasisit Belgium N.V., Zaventem  
Phone +32 2 725 04 30  
www.habasisit.be

**Canada**

Habasisit Canada, Ltd. Oakville  
Phone +1 905 827 41 31  
www.habasisit.ca

**China**

Habasisit East Asia Ltd.,  
Hong Kong  
Phone +852 2145 0150  
www.habasisit.com

**Czech Republic**

Habasisit Bohemia spol.s r.o., Brno  
Phone +420 5 41 421 651  
www.habasisit.cz

**France**

Habasisit France S.A., Mulhouse  
Phone +33 389 33 89 03  
www.habasisit.fr

**Germany**

Habasisit GmbH, Eppertshausen  
Phone +49 6071 969 0  
www.habasisit.de

**Hungary**

Habasisit Hungaria Kft., Esztergom  
Phone +36 33 510 610  
www.habasisit.hu

**India**

Habasisit-lakoka Pvt. Ltd.  
Coimbatore  
Phone +91 422 262 78 79  
www.habasisitlakoka.com

**Italy**

Habasisit Italiana S.p.A., (Milano)  
Cesano Boscone  
Phone +39 02 45 88 88 1  
www.habasisit.it

**Japan**

Habasisit Nippon Co. Ltd.,  
Yokohama  
Phone +81 45 476 03 71  
www.habasisit.co.jp

**Latvia**

Habasisit Baltic SIA, Daugavpils  
Phone +371 54 074 88  
www.habasisit.at

**Netherlands**

Habasisit Netherlands BV, Nijkerk  
Phone +31 33 247 20 30  
www.habasisit.nl

**Norway**

Habasisit Norge A/S, Oslo  
Phone +47 22 90 92 80  
www.habasisit.se

**Romania**

Habasisit Import/Export Romania  
SRL, Bucuresti  
Phone +40 21 323 95 65  
www.habasisit.at

**Singapore**

Habasisit Far East Pte. Ltd.,  
Singapore  
Phone +65 6 862 55 66  
www.habasisit.com.sg

**Spain**

Habasisit Hispanica S.A.,  
Berbera del Valles  
Phone +34 93 719 19 12  
www.habasisit.com

**Sweden**

Habasisit AB, Hindas  
Phone +46 301 226 00  
www.habasisit.se

**Switzerland**

Habasisit AG, Reinach  
Phone +41 61 715 15 75  
www.habasisit.ch

**Taiwan**

Habasisit East Asia Ltd.,  
Tucheng City, Taipei Hsien  
Phone +886 2 8261 8330  
www.habasisit.com

**Ukraine**

Habasisit Ukraina, Vinnica  
Phone +38 0432 53 60 78  
or +38 0432 53 67 38  
www.habasisit.at

**United Kingdom**

Charles Walker Ltd.,  
Bingley  
Phone +44 1274 560211  
www.charleswalker.co.uk

**United Kingdom**

Habasisit (UK) Ltd., Corby  
Phone +44 1536 40 23 40  
www.habasisit.co.uk

**USA**

Habasisit ABT Inc., Middletown  
Phone +1 860 632 2211  
www.habasisitabt.com

**USA**

Habasisit Belting Inc., Suwanee  
Phone +1 678 288 3600  
www.habasisitusa.com

**PRODUCT LIABILITY, APPLICATION CONSIDERATIONS**

The proper selection and application of Habasisit products, including the related area of product safety, is the responsibility of the customer. All indications / information are recommendations and believed to be reliable, but no representations, guarantees, or warranties of any kind are made as to their accuracy or suitability for particular applications. The data provided herein are based on laboratory work with small-scale test equipment, running at standard conditions, and do not necessarily match product performance in industrial use. New knowledge and experiences can lead to modifications and changes within a short time without prior notice.

BECAUSE CONDITIONS OF USE ARE OUTSIDE OF HABASISIT'S AND ITS AFFILIATED COMPANIES CONTROL, WE CANNOT ASSUME ANY LIABILITY CONCERNING THE SUITABILITY AND PROCESSABILITY OF THE PRODUCTS MENTIONED HEREIN. THIS ALSO APPLIES TO PROCESS RESULTS / OUTPUT / MANUFACTURING GOODS AS WELL AS TO POSSIBLE DEFECTS, DAMAGES, CONSEQUENTIAL DAMAGES, AND FURTHER-REACHING CONSEQUENCES.

**Headquarters**

Habasisit AG  
CH-4153 Reinach-Basel  
Phone +41 61 715 15 15  
Fax +41 61 715 15 55  
E-mail infor@habasisit.com  
www.habasisit.com

Habasisit ABT Inc.  
150 Industrial Park Road  
Middletown, CT 06457  
www.habasisitabt.com  
Telephone: 860 632 2211  
Fax: 860 632 1710  
Toll Free: 800 522 2358

Registered trade marks